

PowerGlide® 2.0 Hardwired Connection Interface

The Connection Interface

Luminette® PowerGlide® 2.0 with Platinum™ Technology can be hard-wired for control by a:

- Platinum Technology wall switch.
- Platinum Technology satellite eye.
- Dry-contact closure (i.e. a relay, toggle, or SPDT switch).
- Home automation system.

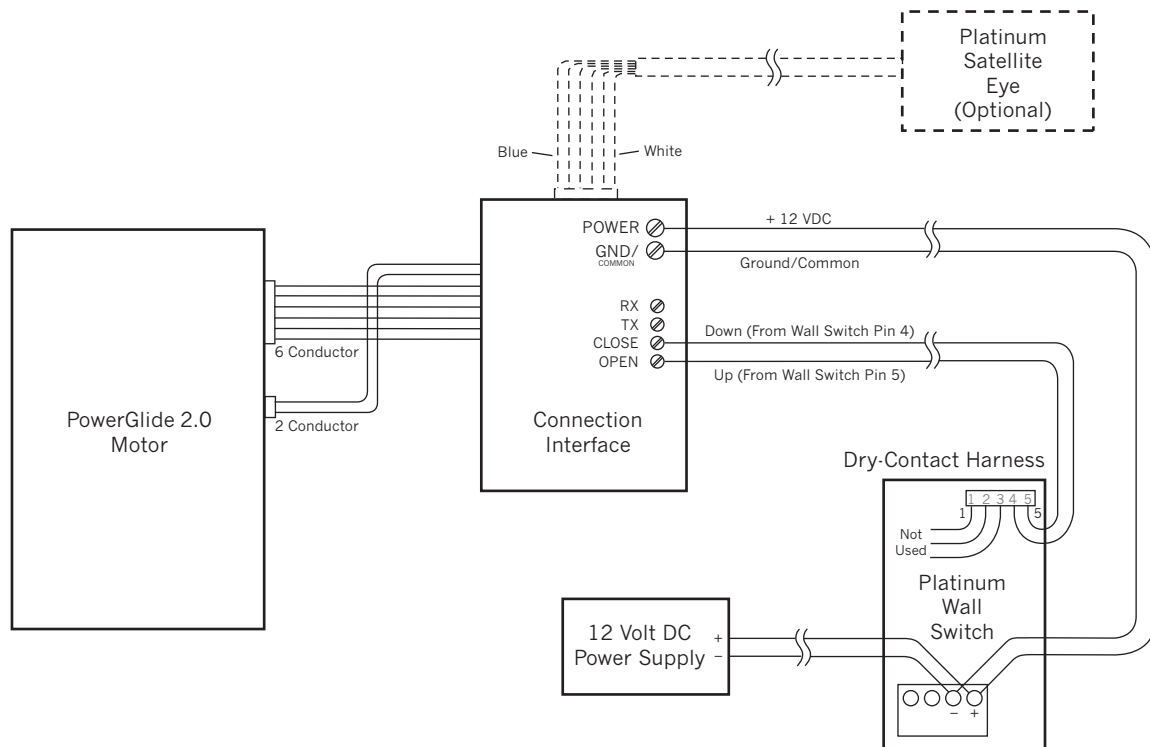
The Connection Interface is the link between the PowerGlide 2.0 motor and any electronic control system. The following wiring diagrams show how the Connection Interface can be wired into your system.

For more information, refer to the *Luminette PowerGlide 2.0 with Platinum Technology Hard-Wired Motorization Installation Instructions*.

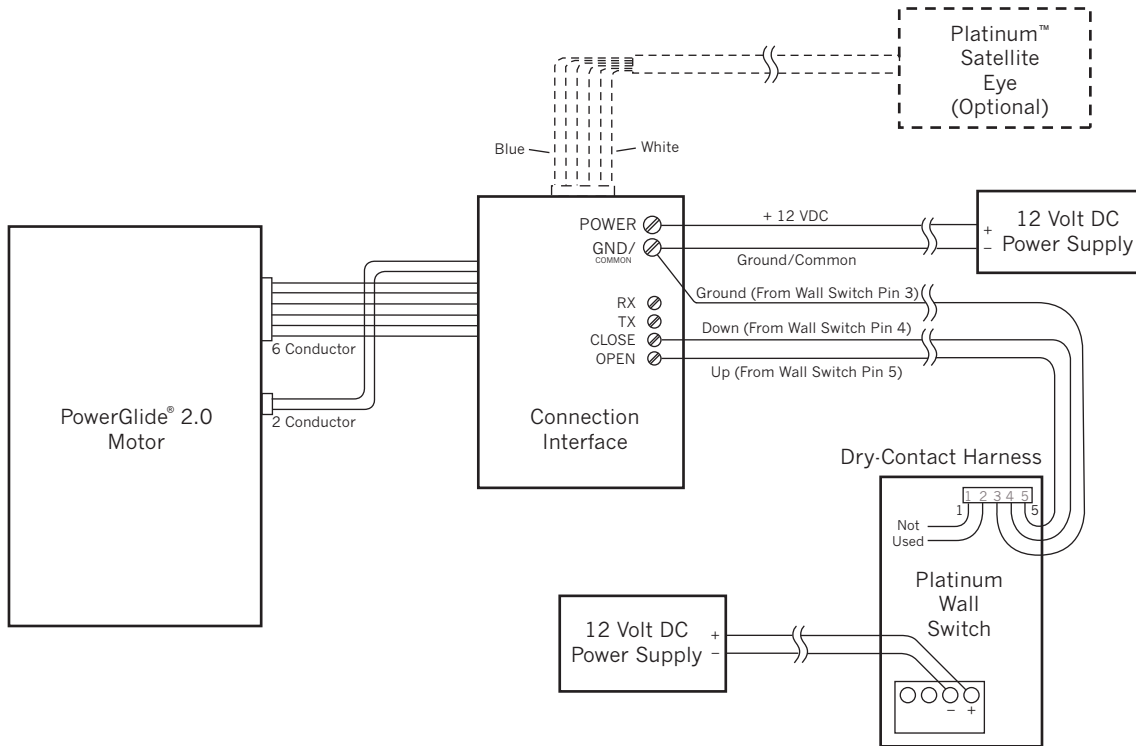


Wiring Diagram

Option 1: Connection Interface With Platinum™ Wall Switch



Option 2: Connection Interface With Platinum™ Wall Switch – Separate Power Supplies for Switch and PowerGlide® 2.0 Motor



Option 3: Connection Interface With Momentary SPDT Switch

