

Z-Wave®

The Standard in Wireless Home Controls.

Internet

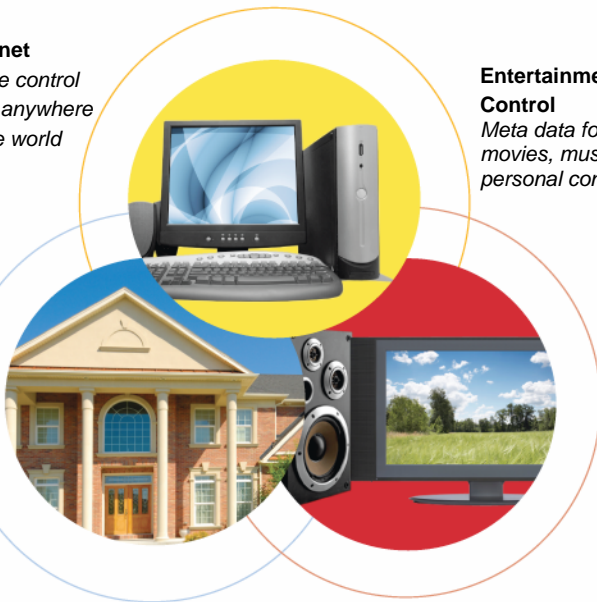
Home control
from anywhere
in the world

Entertainment Control

Meta data for
movies, music,
personal content

Home Control

Lifestyle &
Convenience,
Safety & Security,
Energy Efficiency



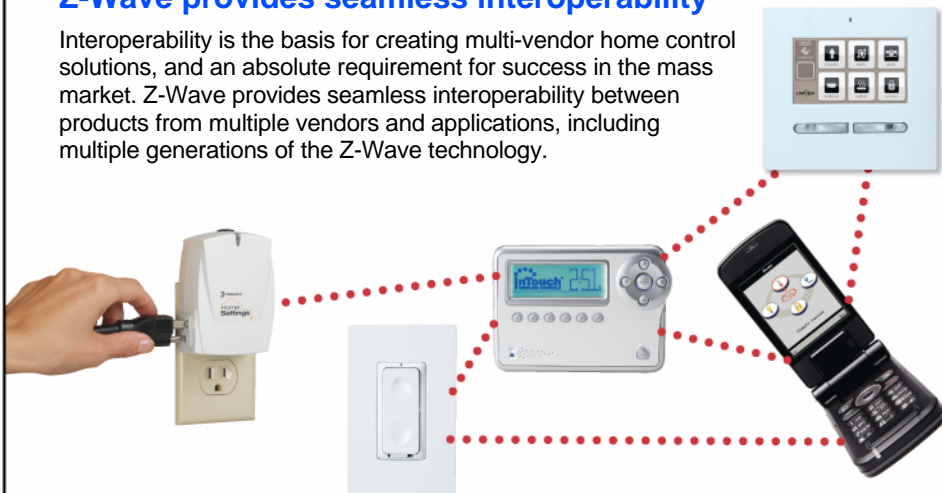
Simplified wireless home control for the mass market is now a reality

Z-Wave® is an award winning breakthrough technology that finally lets home control succeed in the mass market. All the major challenges that had previously prevented mass acceptance have now been elegantly solved. Z-Wave-based products are widely available from many of the most trusted brand names on the market today. All Z-Wave products interoperate seamlessly. Z-Wave products are extremely robust and reliable; and Z-Wave is affordable enough to be highly appealing to the average consumer. Z-Wave has emerged as the industry standard for wireless home control, and has garnered the support of more than 125 manufacturers that already develop and market Z-Wave products.

Z-Wave has been designed from the ground up for residential applications such as lighting control, thermostats, garage doors and access control, security systems, blinds and drapes, Internet gateways, PC applications, media center integration, and universal remote controls. Z-Wave not only adds comfort and convenience to today's lifestyles, it also provides increased home security and helps consumers realize substantial home energy savings.

Z-Wave provides seamless interoperability

Interoperability is the basis for creating multi-vendor home control solutions, and an absolute requirement for success in the mass market. Z-Wave provides seamless interoperability between products from multiple vendors and applications, including multiple generations of the Z-Wave technology.



Z-WAVE KEY FEATURES

Z-Wave delivers the optimal balance of key mass-market requirements:

- Seamless interoperability between multiple vendors and applications
- Robust and reliable whole home coverage through mesh networking
- Easy, automatic setup and simple network management
- Low power consumption for multi-year battery life
Integration of home and entertainment control with meta data support
- Low cost for mass market consumer products



AWARD-WINNING TECHNOLOGY

The Z-Wave innovative, interoperable, mesh networking technology has rapidly garnered broad industry recognition, and has already won accolades and awards from such leading publications as CNET and PC World, as well as industry groups such as CABA. Additionally, many Z-Wave-based end user products from OEMs have also been recognized, driving the number of awards for Z-Wave to over a dozen in just over one year.



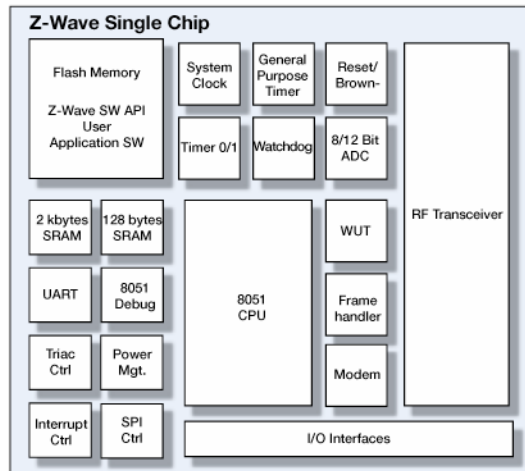
Z-Wave Single Chips

Z-Wave is available as a Single Chip solution, with our latest ZW0301 representing the third generation of Z-Wave Single Chip technology. The Z-Wave mesh network protocol stack is embedded in the chips, and Flash memory is available to the manufacturer/OEM for their own application software. A set of on-chip peripherals makes the Z-Wave chips true systems on chip solutions.

To ensure smooth and rapid product development, Z-Wave development kits and Modules are available, along with a range of volume production-qualified manufacturing blueprints of the PCB circuitry surrounding the Z-Wave Single Chip. Many OEM products and platforms incorporating Z-Wave are available from partners in the Z-Wave Alliance, significantly reducing the cost, effort, and time to market for a rich home control product line. Additionally, tools are available that simplify the integration with Microsoft platforms such as Windows XP, Vista, .NET, Windows CE/ Mobile, and the.NET.

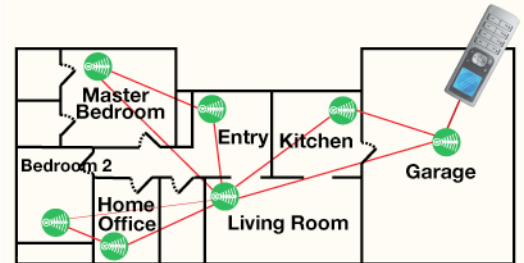


0.18um CMOS



Z-WAVE MESH NETWORKING

One of the key features of the Z-Wave technology is the routing capability of all the nodes in the network. Z-Wave automatically routes the signal from one node to the next, around obstacles and radio dead spots. The result is vastly improved reliability and assured whole-house coverage.



META DATA

The abundance of online and offline media available through cable and satellite TV and radio, the Internet, media servers, and disc libraries means the availability of rich media information is no longer a gimmick, it's a necessity.

Conventional unidirectional infrared remote controls are no longer sufficient for these applications. Z-Wave overcomes the line-of-sight limitation of IR, enabling reliable two-way communications, and thorough whole home coverage. It is today's most widely used RF technology for remote controls.



Z-Wave Single Chips

With the ZW0301 Single Chip solution, Z-Wave is the first standard to enable battery-to-battery networks. Exciting new applications are now possible, such as smoke detectors that can trigger other detectors throughout the home, as well as an external alarm. Motorized drapes and shades can now be driven, as well as controlled, by battery power. Battery-operated door locks are now feasible.



Only products that are certified to be Z-Wave compliant and interoperable carry the logo. Certification is straightforward for OEMs, with a low cost of only \$750 per product (including test lab fee).

The Z-Wave Alliance is an industry organization with over 125 member companies, dedicated to promoting the Z-Wave standard for wireless home control. www.Z-WaveAlliance.org

Contact:

USA
Zensys Inc.
39350 Civic Center Dr.
Suite 210 Fremont, CA 94538
+1 510 288 4680

Europe
Zensys Inc.
Emdrupvej 262100
Copenhagen Ø
Denmark
+45 70 20 99 40

www.Zen-Sys.com