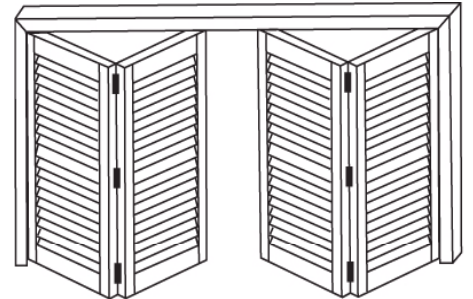


Sussex® Shutters

Track Shutters—Bifold & Multi-fold

Guidelines and Specs:

Description	Minimum	Maximum		
		1 1/4"	1 7/8"	2 1/2" / 3 1/2" / 4 1/2"
Single-Panel Width (Bifold Track)	6"	N/A	26"	26"
Single-Panel Width (Multifold track up to 4 panels)	6"	N/A	20"	20"
Single-Panel Height	10"	133"	133"	133"



Outside Mount

Max frame-to-frame width: window width + 3"

Max frame-to-frame height: window height + 4 1/2"

Semi-Inside Mount

Max frame-to-frame width: window width - 1/8"

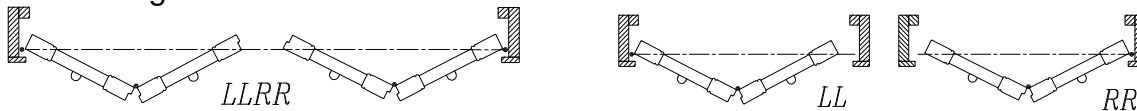
Max frame-to-frame height: window height + 1 3/8"

Inside Mount

Max frame-to-frame width: window width - 1/8"

Max frame-to-frame height: window height - 1/8"

Panel Configuration:



The max frame-to-frame height measurement should be from the floor to the top of the fascia, and the width measurement should be from the left side frame to the right side frame.

- Track is pre-installed on the header; standard 1 track only.
- Wheel carrier bracket and top pivot are pre-installed on the panel.
- Top pivot bracket, wheels and buffers will be installed in the track.
- Support L brackets on header are provided for OM boxout.

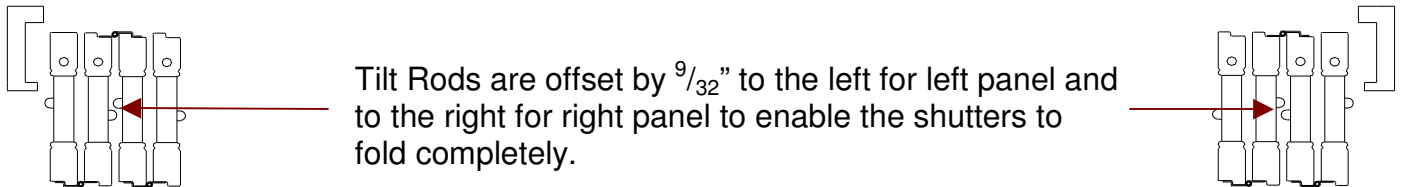
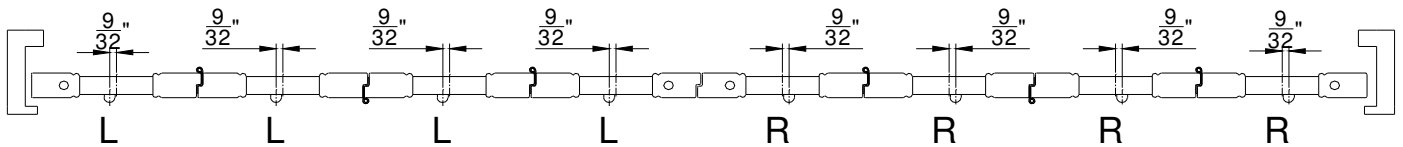
Sussex® Shutters

Track Shutters—Bifold & Multi-fold

Multi-Fold Track Shutters

Maximum single panel width for multi-fold is 20"

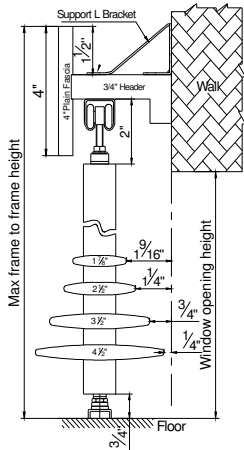
Panel Configuration : LLLL, RRRR, or LLLLRRRR



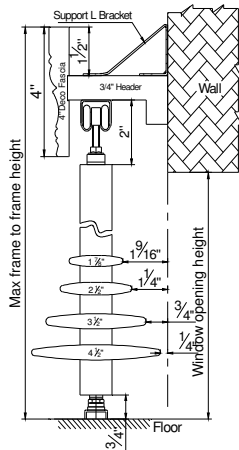
Sussex® Shutters

Track Shutters—Bifold & Multi-fold

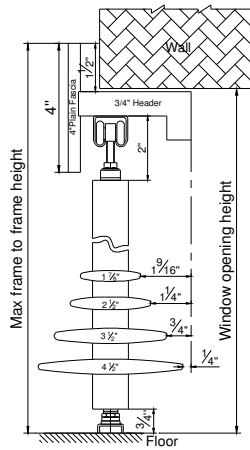
Mounting Options



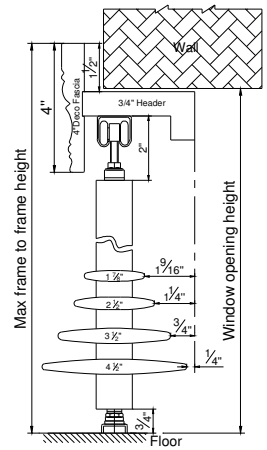
Plain Boxout



Deco Boxout



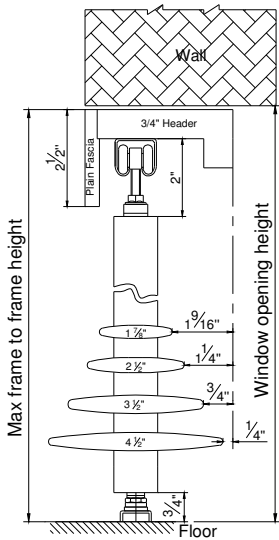
Plain Boxout



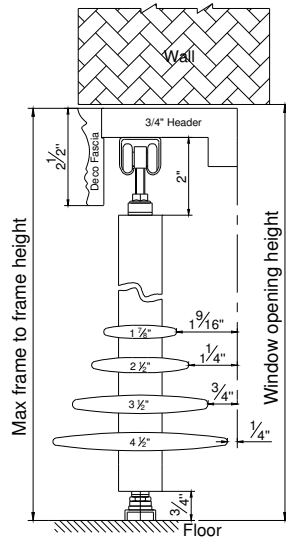
Deco Boxout

Outside Mount

Semi-Inside Mount



Plain Boxout



Deco Boxout

Inside Mount

Track Shutters—Bifold & Multi-fold

Track Shutters Framing Materials

Framing	Size			Pc(s)	
L Shape Header (2 in 1) Header with Supporting Strip	Header		Supporting Strip	1 pc	
	¾" x 3½"* (Default) ¾" x 4½"* or 5½"* (Optional) Custom * ≤ 8"		¾" x ¾"		
U Shape Side Frame (3 in 1) Side Frame with Supporting Strip & Side Fascia	Side Frame		Supporting Strip	Side Fascia	2 pcs
	¾" x 3½"* (Default) ¾" x 4½"* or 5½"* (Optional) Custom * ≤ 8"		¾" x ¾"	⅜" x 1¼"	
Top Fascia (Plain/Deco)	4" (semi-inside and outside mount) 2½" (inside mount)			1 pc	
Top Fascia Return	4" (semi-inside and outside mount) N/A (inside mount)			2 pcs	

* L Shape Header and U Shape Side Frame are only available in 3½", 4½" and 5½". For other sizes, these framing materials come in separate pieces.

* If framing material in separate pieces is preferred for 3½", 4½" and 5½", please state clearly under the Special Instructions section of the order form.

Track Shutters—Bifold & Multi-fold

Hardware Box

Hardware Box	
Part	Qty
Wrench	3
Touch up paint	1
Bottom Pivot Bracket	1 for panels folding in one direction 2 for panels folding in both directions
¾" screws for bottom pivot bracket	3 screws for each bottom pivot bracket
1½" screws for bottom pivot bracket	1 screw for each bottom pivot bracket
Hinge Pin	According to number of hinges
¾" screws for support L bracket to header	3 for each support L bracket
2½" screws for support L bracket to wall	2 for each support L bracket
Support L Bracket (based on the length of header)	Header length: <ul style="list-style-type: none"> • Less than 90" — 2 brackets included • 90" ~ 120" — 3 brackets included • 120" ~ 150" — 4 brackets included For header length 150" and above, 1 bracket will be added for each additional 30"

Track Shutters—Bypass

Guidelines and Specs:

<u>Description</u>	<u>Minimum</u>	<u>Maximum</u>		
		1 ¼"	1 ⅞"	2½" / 3½" / 4½"
Single-Panel Width (Regular)	6"	16"	30"	36"
Single-Panel Width (for Bypass with Center Stile)	6"	N/A	30" ~ 50"	36" ~ 50"
Single-Panel Height	10"	133"	133"	133"

Outside Mount

Max frame-to-frame width: window width + 3"

Max frame-to-frame height: window height + 4½"

Semi-Inside Mount

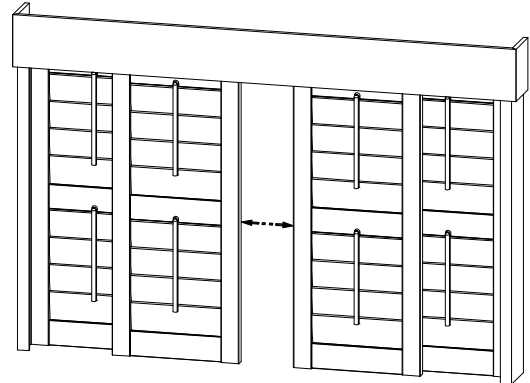
Max frame-to-frame width: window width - ⅛"

Max frame-to-frame height: window height + 1 ⅜"

Inside Mount

Max frame-to-frame width: window width - ⅛"

Max frame-to-frame height: window height - ⅛"



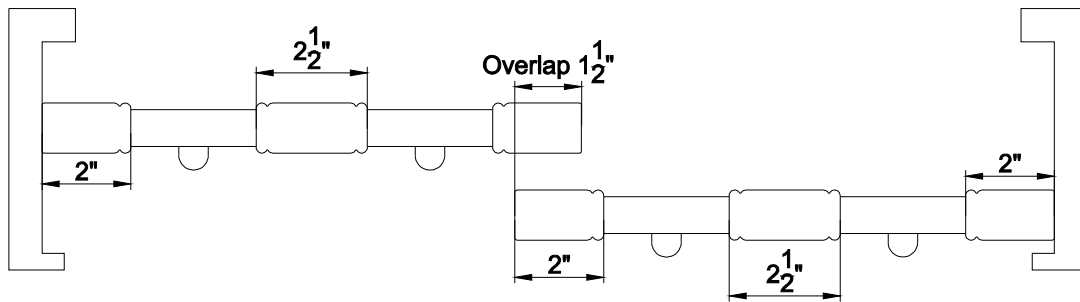
The max frame-to-frame height measurement should be from the floor to the top of the fascia, and the width measurement should be from the left side frame to the right side frame.

- Tracks are pre-installed on the header; standard 2 tracks only.
- Wheel carrier bracket and bottom guide are pre-installed on the panel.
- Wheels and buffers will be installed in the track.
- Support L brackets are provided for OM boxout.

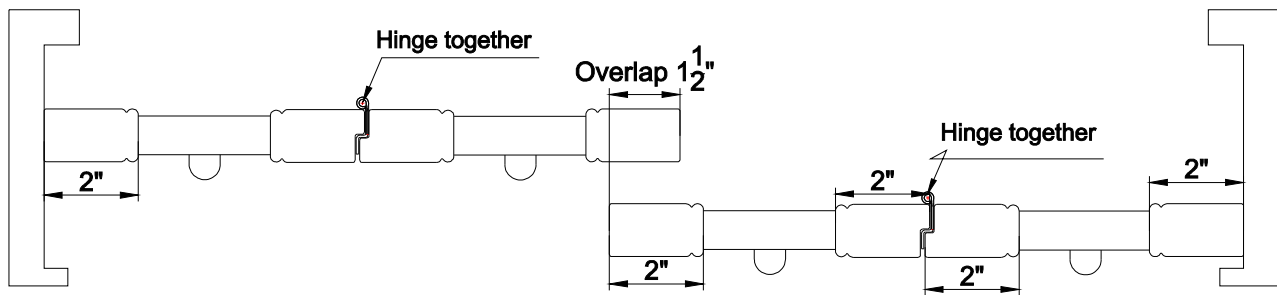
Track Shutters—Bypass

Closed Bypass

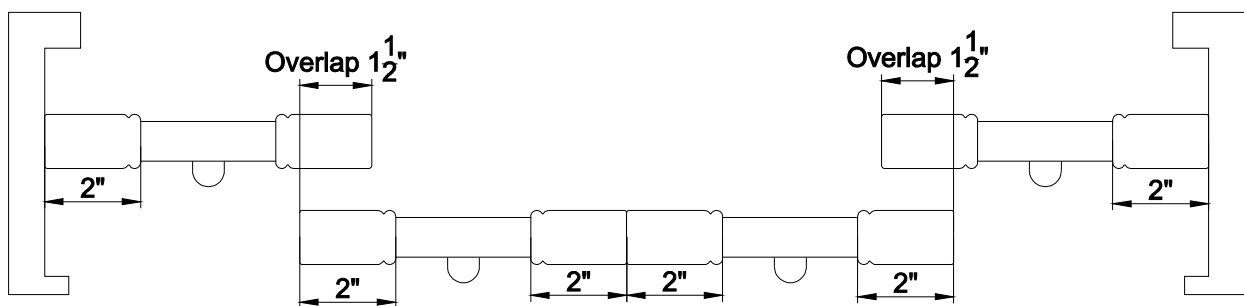
Panels with center stile (optional)



For shutters with 4 or more panels, please select "side open" or "center open" .



Side Open

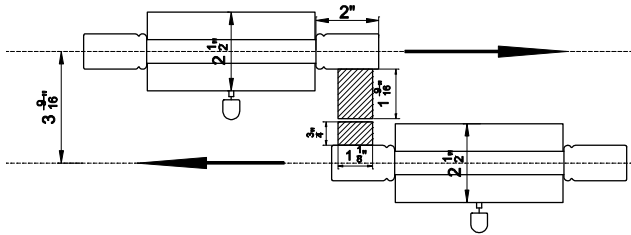


Center Open

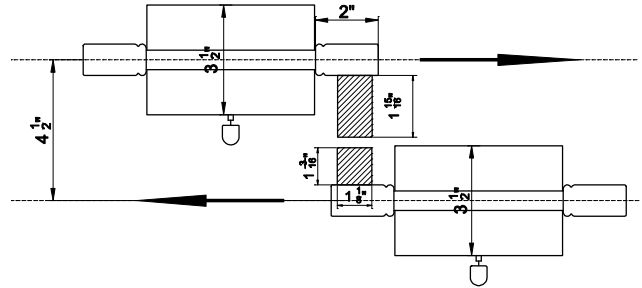
Sussex® Shutters

Opened Bypass

Bypass panels with **Regular Tilt Rod**
—for U shape/ interlocking bottom guide*

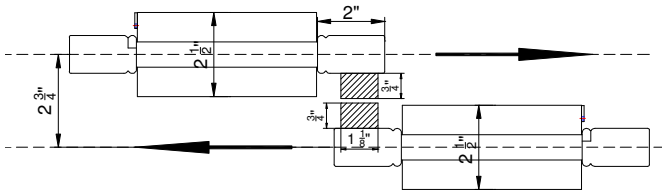


2 1/2" Louver

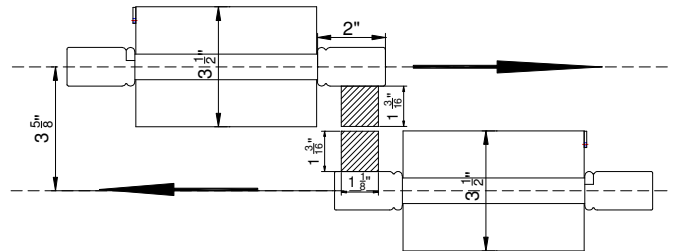


3 1/2" Louver

Bypass panels with **Hidden Tilt Rod***
—for U shape bottom guide

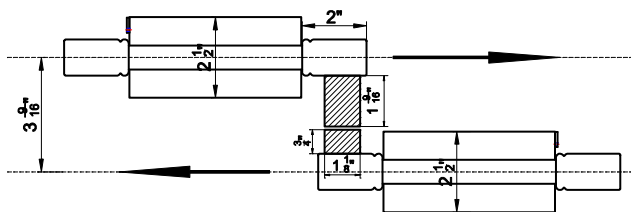


2 1/2" Louver

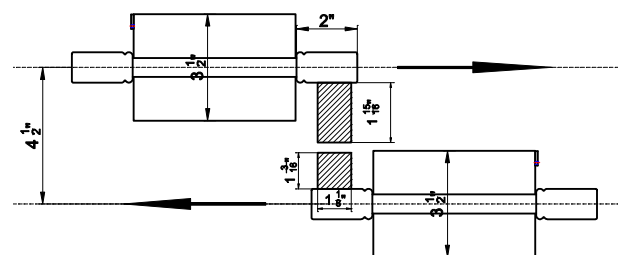


3 1/2" Louver

Bypass panels with **Hidden Tilt Rod***
—for interlocking bottom guide*



2 1/2" Louver

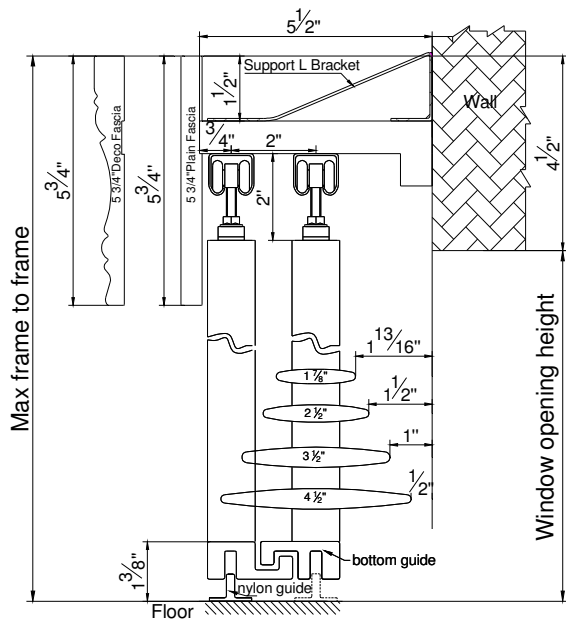


3 1/2" Louver

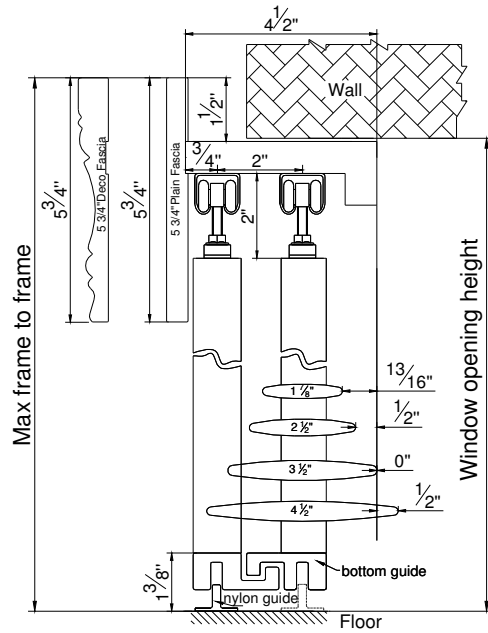
* Surcharge applies. Please see Options and Surcharges page for details

Track Shutters—Bypass

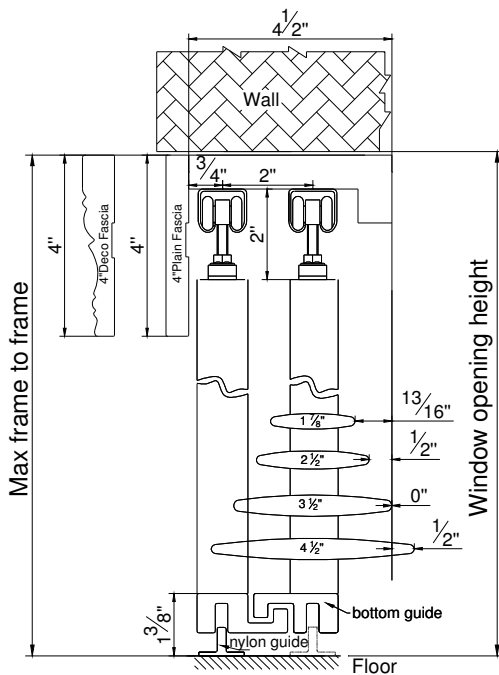
Mounting Options (Closed Bypass)



Outside Mount



Semi-Inside Mount



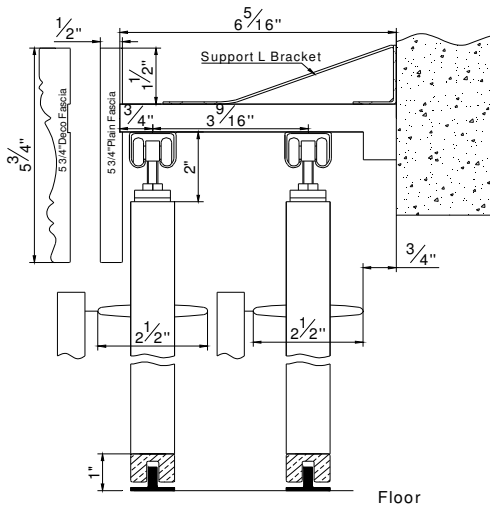
Inside Mount

Track Shutters—Bypass

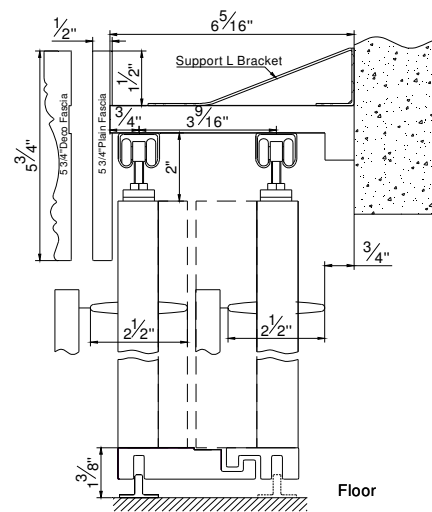
Mounting Options (Opened Bypass)*

- Only available in 2 1/2" and 3 1/2" louver sizes

2 1/2" Louver (Outside Mount)

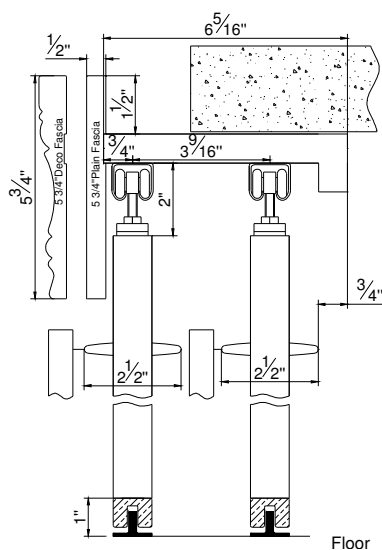


Default Bottom Guide

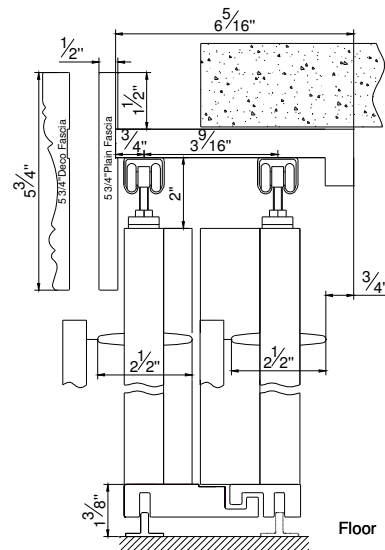


Optional Interlocking Bottom Guide *

2 1/2" Louver (Semi-Inside Mount)



Default Bottom Guide



Optional Interlocking Bottom Guide *

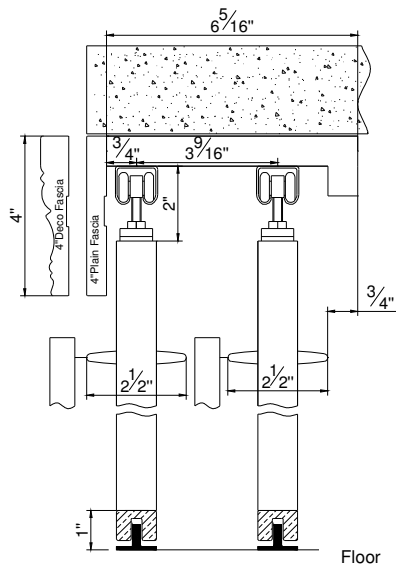
* Surcharge applies. Please see Options and Surcharges page for details.

Track Shutters—Bypass

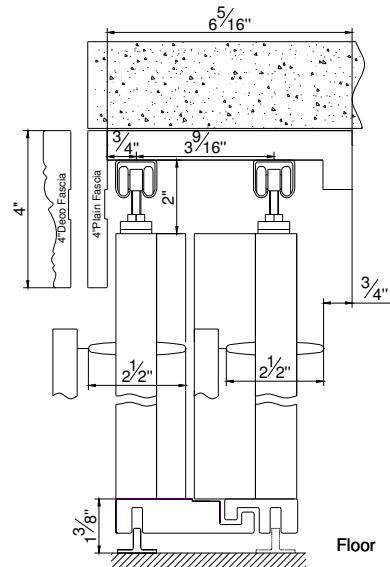
Mounting Options (Opened Bypass)*

- Only available in 2 1/2" and 3 1/2" louver sizes

2 1/2" Louver (Inside Mount)



Default Bottom Guide



Optional Interlocking Bottom Guide*

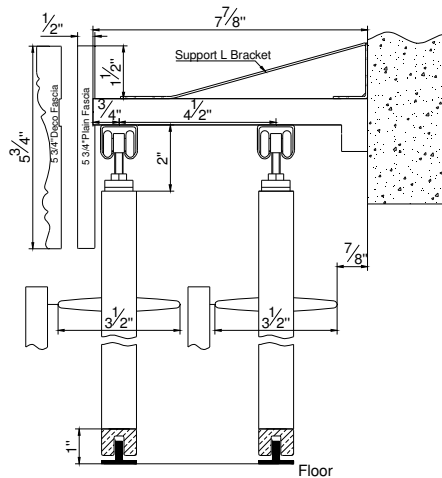
Sussex® Shutters

Track Shutters—Bypass

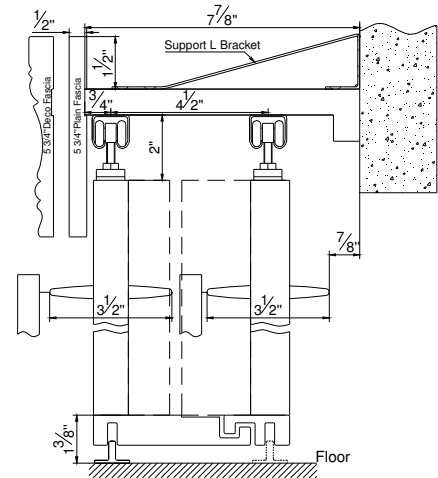
Mounting Options (Opened Bypass)*

- Only available in 2 1/2" and 3 1/2" louver sizes

3 1/2" Louver (Outside Mount)

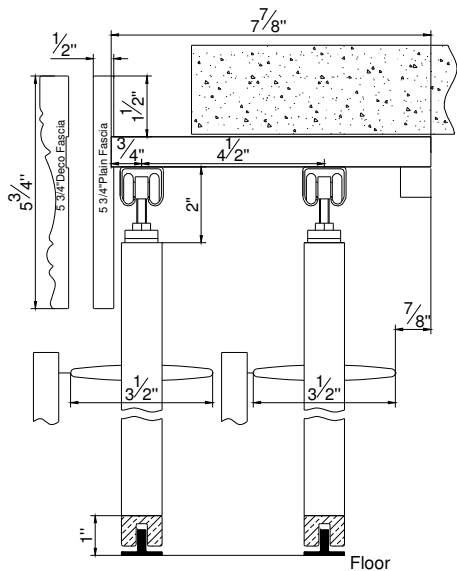


Default Bottom Guide

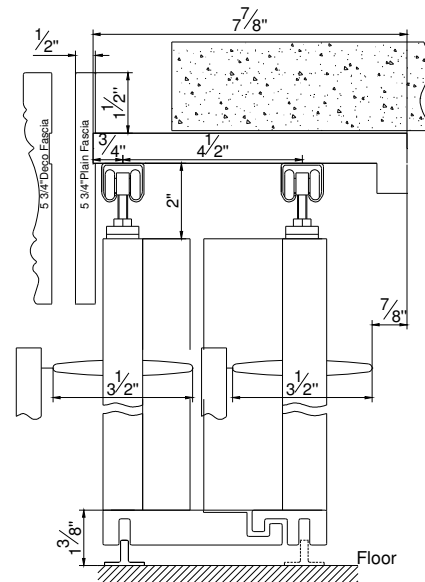


Optional Interlocking Bottom Guide*

3 1/2" Louver (Semi-Inside Mount)



Default Bottom Guide



Optional Interlocking Bottom Guide*

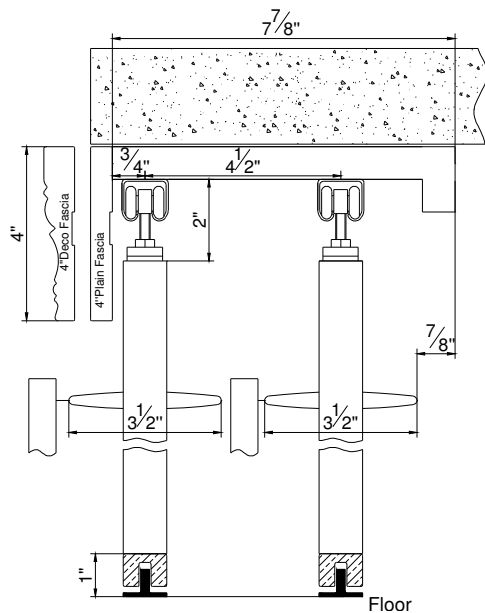
* Surcharge applies. Please see Options and Surcharges page for details

Track Shutters—Bypass

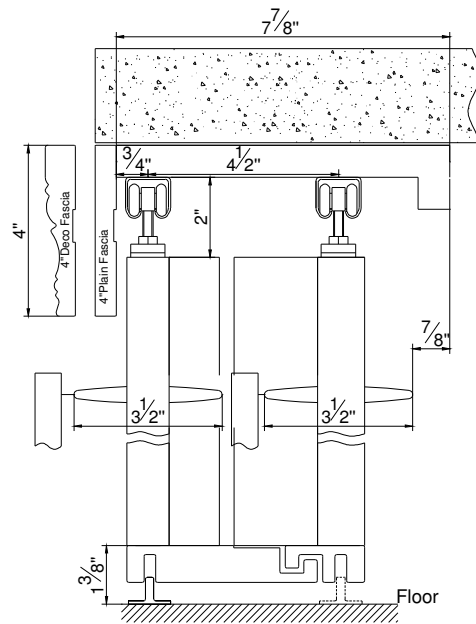
Mounting Options (Opened Bypass)*

- Only available in 2 1/2" and 3 1/2" louver sizes

3 1/2" Louver (Inside Mount)



Default Bottom Guide



Optional Interlocking Bottom Guide*

* Surcharge applies. Please see Options and Surcharges page for details

Sussex® Shutters

Track Shutters—Bypass

Closed Bypass

- Available in all louver sizes



Opened Bypass*

- Available in 2 1/2" and 3 1/2" louver





Track Shutters—Bypass

Track Shutters Framing Materials

Framing	Size				Pc(s)
L Shape Header (2 in 1) Header with Supporting Strip	Header (Closed Bypass) $\frac{3}{4}$ " x $5\frac{1}{2}$ "* (Default for Outside Mount; Optional for Semi-Inside and Inside Mount)	Header (Opened Bypass) $\frac{3}{4}$ " x $6\frac{1}{4}$ "* ($2\frac{1}{2}$ " Louver)	Supporting Strip $\frac{3}{4}$ " x $\frac{3}{4}$ "		1 pc
	$\frac{3}{4}$ " x $4\frac{1}{2}$ "* (Default for Semi-Inside and Inside Mount; Optional for Outside Mount)	$\frac{3}{4}$ " x $7\frac{13}{16}$ "* ($3\frac{1}{2}$ " Louver)			
	Custom * ≤ 8 "	Custom * ≤ 8 "			
U Shape Side Frame (3 in 1) Side Frame with Supporting Strip & Side Fascia	Side Frame (Closed Bypass) $\frac{3}{4}$ " x $5\frac{1}{2}$ "* (Default for Outside Mount; Optional for Semi-Inside and Inside Mount)	Side Frame (Opened Bypass) $\frac{3}{4}$ " x $6\frac{1}{4}$ "* ($2\frac{1}{2}$ " Louver)	Supporting Strip $\frac{3}{4}$ " x $\frac{3}{4}$ "	Side Fascia $\frac{3}{8}$ " x $1\frac{1}{4}$ "	2 pcs
	$\frac{3}{4}$ " x $4\frac{1}{2}$ "* (Default for Semi-Inside and Inside Mount; Optional for Outside Mount)	$\frac{3}{4}$ " x $7\frac{13}{16}$ "* ($3\frac{1}{2}$ " Louver)			
	Custom * ≤ 8 "	Custom * ≤ 8 "			
Top Fascia (Plain/Deco)	$5\frac{3}{4}$ " (Semi-inside and Outside Mount) $\frac{1}{2}$ " x 4" (Inside Mount)				1 pc
Top Fascia Return	$5\frac{3}{4}$ " (Semi-inside and Outside Mount) N/A (Inside Mount)				2 pcs

* L Shape Headers and U Shape Side Frames are only available in $3\frac{1}{2}$ ", $4\frac{1}{2}$ ", $5\frac{1}{2}$ ", $6\frac{1}{4}$ " and $7\frac{13}{16}$ ". For other sizes, these framing materials come in separate pieces.

* If framing material in separate pieces is preferred, please state clearly under the Special Instructions section of the order form.

Track Shutters—Bypass

Hardware Box

Hardware Box	
Part	Qty
Wrench	2
Touch up paint	1
Nylon Guide	1 for each overlap
3/4" screws for nylon guide	4 for each Nylon Guide
3/4" screws for support L bracket to header	3 for each Support L Bracket
2 1/2" screws for support L bracket to wall	2 for each Support L Bracket
Support L Bracket (based on the length of header)	Header Length: <ul style="list-style-type: none"> • Less than 90" — 2 brackets included • 90" ~ 120" — 3 brackets included • 120" ~ 150" — 4 brackets included For header length 150" and above, 1 bracket will be added for each additional 30"