



Available at: 866-683-1832



Glydea[®] Range

High Performance Motorization Solutions for Draperies

HOME MOTION by
somfy[®]

GLYDEA® EXPANDS YOUR OPPORTUNITIES

Today, drapery motorization is becoming the standard for hotel rooms, meeting venues, conference centers and residences.

Somfy's Glydea® Range provides a discreet, flexible and robust solution to serve your imagination and broaden your horizons.



MAKE ANY SPACE STAND OUT WITH GLYDEA® MOTORIZED DRAPERIES

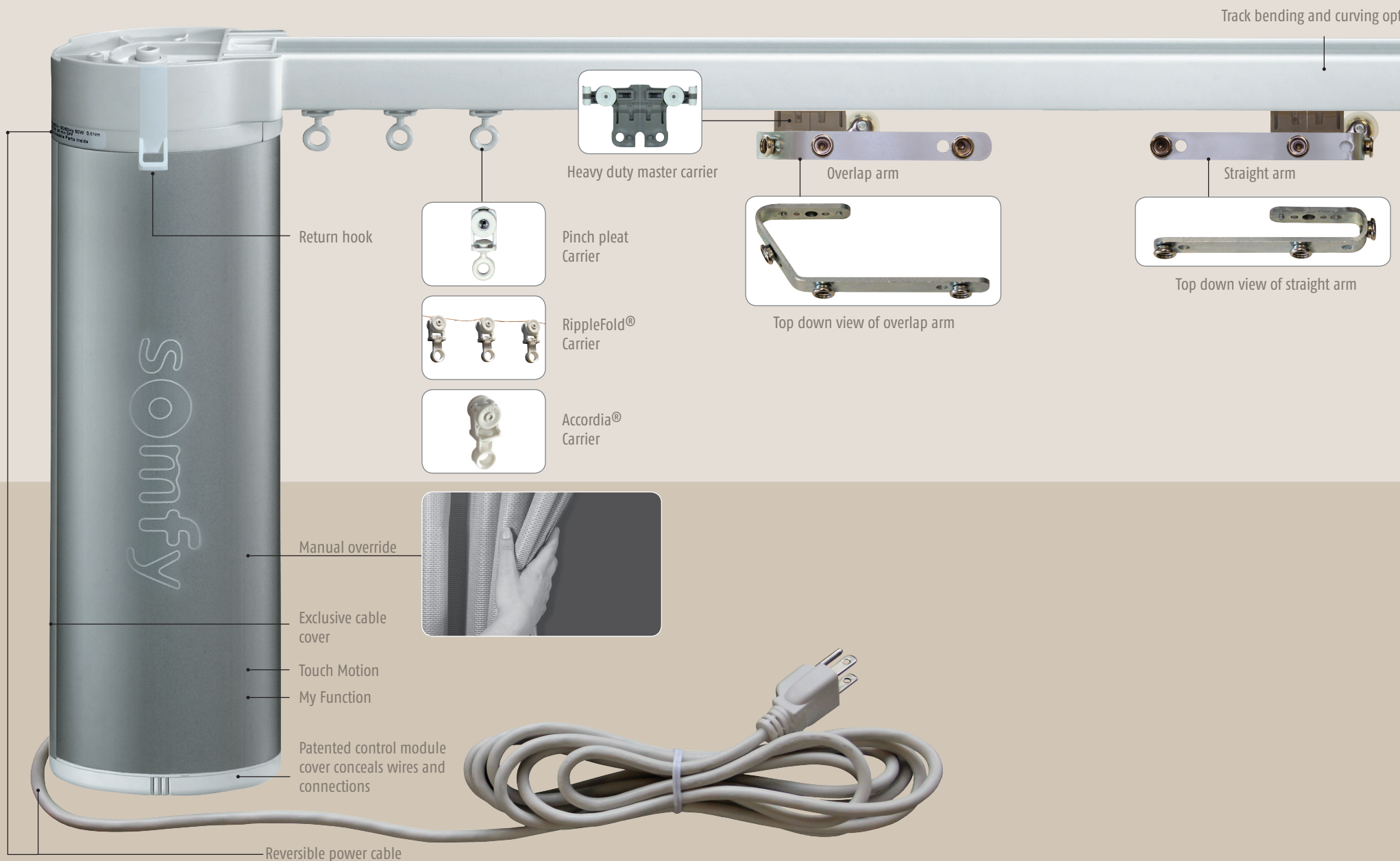


- Provides a convenient solution for glare reduction and privacy while also reducing energy costs and protecting furnishings from damaging UV rays.
- Creates a positive user experience with superior performance, reliability and ease of operation.
- Extends the lifespan of draperies by minimizing the damage associated with manual operation.
- Available for all types of draperies such as pinch pleat, Ripplefold® and Accordia® so regardless of your preference, you can bring your vision to life!
- Compatible with various types of controls from hand-held remotes, wireless wall switches, table top controls, sensors, timers and third-party automation systems.

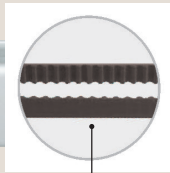
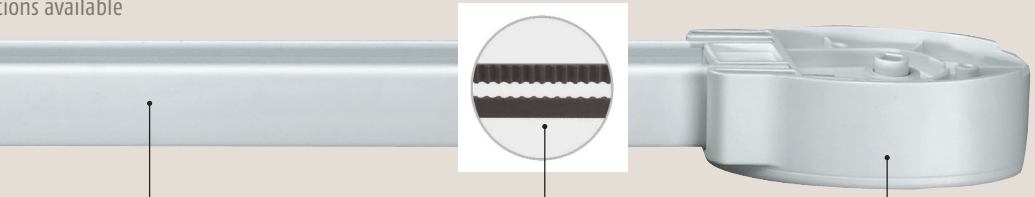
Ripplefold® and Accordia® are registered trademarks of Kirsch.

Glydea® , the difference is in the details:

The sophistication of Glydea® is reflected in the simple form and sleek lines of the motor and the track.



Options available



Belt driven track

Motor can be installed to the right or left side of the track



Easy installation with one touch ceiling bracket



Swivel ceiling bracket minimizing light gap - recommended for curves



Adjustable wall mount bracket

Aesthetic

- Clean premium design with brushed aluminum finish.
- Adjustable limit setting provides alignment of drapery fabric.
- Patented control module cover design conceals unsightly cables and protects the connectors and control modules inside the motor.
- Advanced track design and swivel ceiling bracket minimize the light gap.
- Soft start and soft stop.
- Improved arm design provides even overlap and even stack back.

Efficient

- Touch Motion allows the user to activate the motorized drapery simply by pulling on the fabric. Two sensitivity settings available.
- Manual Override disengages the motor when drapery is adjusted manually. This is ideal for power outages and also protects the fabric from damage.
- My Function allows user to set a preferred drapery openness position for a quick access.

Flexibility

- Patented flexible master carrier reduces friction and is adaptable to various drapery types.
- Various control modules allow Glydea® to easily integrate with third party control protocols.
- Drapery track is available with custom curves and bends.
- Exclusive cable cover allows you to reverse cable direction for easier access to power.
- Adjustable speed control.

Easy Installation

- Spring loaded one-touch hardware (wall and ceiling mount).
- On center opening tracks, motor can be installed to the right or to the left side of the track.
- Automatic or adjustable limit setting.
- Inverse (top mount) option allows the motor to be installed above the track.

Quiet

- Motor design and advanced high performance belt drive system provide quiet operation (<44dBA).



Adaptable Control Modules



RTS Control Module



RS485 Control Module



ZigBee® Control Module



Z-Wave® Control Module

Glydea®, Somfy quality
5 years international warranty.
International certifications.



Glydea® offers a flexible solution for every installation

Adaptable and Universal

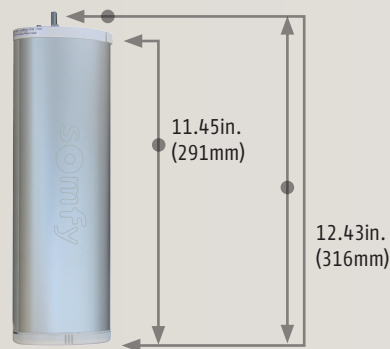
- With one track, two motors and various control modules, Glydea® offers a wide range of options for any project requirement.
- Track up to 36 ft. (10.9m) wide with Glydea® 60e and up to 32 ft. (9m) with Glydea® 35e
- Available with custom bends and curves
- Wide variety of hardware and accessories for various drapery types including pinch pleat, Ripplefold® and Accordia®

Motor part numbers

	Glydea® 35e	Glydea® 60e
Control Option		
DCT motor with 10' cable and molded NEMA plug	Part # 1002465	Part # 1001538
RTS motor with 10' cable and molded NEMA plug	Part # 1001615	Part # 1001617
RS485 motor with 10' cable and molded NEMA plug	Part # 1002109	Part # 1002108
Wired motor without plug	Part # 1002464	Part # 100153

Motor Dimensions

Glydea® 35e and Glydea® 60e



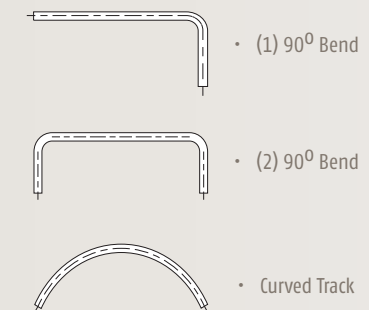
Features overview

	Glydea® 35e	Glydea® 60e
Motor unit main features		
Soft Start		✓
Manual operation		✓
Automatic limits on end stop		✓
Soft stop		✓
Intermediate position		✓
Touch motion with 2 sensitivity settings		✓
Adjustable limits		✓
Speed control & adjustment		✓
Control options		
3 normally open dry contacts		✓
2 normally open dry contacts		✓
2 normally open dry contact sequencing mode		✓
Dry contact individual and group & master control		✓
Radio Technology Somfy® RTS		✓
Infrared		✓
RS485 digital technology		✓
Z-Wave®		✓
ZigBee®		✓
Tandem alternative		✓
Sun control		✓
Timer control		✓
Installation and setting features		
Setting with buttons on motor unit		✓
Setting with external 3 normally open dry contact switch		✓
LED indicators		✓
Motor unit direction change		✓
Factory reset		✓
Inverse mounting (top mount)		✓
Track/Draperies types		
Side opening		✓
Center opening		✓
Asymmetric		✓
Multiple		✓
Pinch pleat		✓
Ripplefold® with overlap arm		✓
Ripplefold® with overlap arm		✓
Accordia®		✓

Motorized track main characteristics

	Glydea® 35e	Glydea® 60e
Power supply	110 V 50/60 HZ	
Amperage	0.5 A	1A
Average linear speed	4.9"/s-7.86"/s 12.5 cm/s to 20 cm/s	
Power consumption	60 W	120 W
Power cable type	3-wire cable with molded NEMA plug 4-wire cable (wired version only)	
Control connector type	RJ12	
DCT control circuit voltage	3.3 VDC	
Motor sound level	<44 dB(A)	
Certifications	c TUV us, CCC, CE	
Track maximum length	32 ft (9.7 m)	36 ft (10.9 m)
Maximum number of junctions	2	
Minimum bending radius	11.8 in. (30 cm)	
Minimum curving radius	118 in. (300 cm)	
Side opening max weight	77 lbs / 19.6 ft 35 kg / 6 m	132 lbs / 19.6 ft 60 kg / 6 m
Center opening max weight	77 lbs / 19.6 ft 35 kg / 6 m	132 lbs / 19.6 ft 60 kg / 6 m
Tandem alternative	154 lbs / 70 kg 64 ft / 19.4m	264 lbs / 120 kg 72 ft / 21.8 m

Other available track shapes



For additional technical information, please visit www.somfypro.com/glydea to download the Glydea® Databook.



Radio Technology Somfy® (RTS)
With over 10 million installations worldwide, RTS has become the standard for secure radio technology in the industry.

Easily adapt to RTS technology with the RTS plug-in module.

Telis RTS Hand-held Remotes
Single Channel and Five Channel hand-held remotes



Pure Finish 1810632 1810633
Silver Finish 1810639 1810641
Lounge Finish 1810650 1810652

Telis 1 Chronis RTS Timer
Schedule draperies to operate automatically



Pure 1805237
Silver 1805238

Telis 16 RTS Transmitter
16 Channel hand-held with on-screen Display



Pure 1811081
Silver 1811082

DecoFlex WireFree™ RTS
Single to Five Channel wireless wall switches, available with custom engraved buttons.
Visit somfypro.com/decoflex for ordering information.



Pure 1810897
Ivory 1811072
Black 1810830
Almond 1811181



White 1811185
Silver 1810972
Black 1811051

Indoor Sunis RTS
Sun sensor automatically adjusts motorized draperies.



9013707

Universal RTS Interface
16-channel interface allows users to convert RS-232, RS-485, and infrared commands into Radio Technology Somfy® (RTS) for RF control of window coverings.

Easily integrates with 3rd party control systems.



1810872

Somfy myLink™ powerful sunlight management app



Control draperies while home or away using your tablet or smartphone. A simple on-screen setup wizard helps users create timed events, scenes and more. Compatible with iOS and Android.



1811264 For detailed information, please visit mylink.somfy.com.



ZigBee™

Easily integrates with ZigBee® systems using the ZigBee® plug-in module.



1870220



Easily integrates with Z-Wave® systems using the Z-Wave® plug-in module.



1870228



Dry Contact Switch



White 1800219



Ivory 1800220



Maintained White 1800374



Maintained White Double Pole, Double Throw 1800375

Maintained Ivory 1800373

Maintained Ivory Double Pole, Double Throw 1800376

www.somfypro.com

SOMFY SYSTEMS INC
SOMFY NORTH AMERICAN HEADQUARTERS
121 Herrod Blvd.
Dayton, NJ 08810
P: (800) 22-SOMFY (76639)
NJ: (609) 395-1300
F: (609) 395-1776

FLORIDA
6100 Broken Sound Pkwy. N.W.
Suite 14
Boca Raton, FL 33487
P: (800) 22-SOMFY (76639)
F: (561) 995-7502

CALIFORNIA
15291 Barranca Parkway
Irvine, CA 92618-2201
P: (800) 22-SOMFY (76639)
F: (949) 727-3775

SOMFY ULC
SOMFY Canada Division
5178 Everest Drive
Mississauga, Ontario L4W2R4
P: (800) 66-SOMFY (76639)
CN: (905) 564-6446
F: (905) 238-1491

Available at: 866-683-1832



Somfy is the leading global manufacturer of strong, intelligent, quiet motors and electronic controls for interior and exterior window coverings with more than 110 million motors produced since 1980. For more than four decades, Somfy engineers have designed products for both the commercial and residential markets to motorize window coverings such as interior shades, wood blinds, draperies, awnings, rolling shutters, exterior solar screens and projection screens. Somfy motorization systems are easily integrated with security, HVAC and lighting systems providing total home or building automation.

HOME MOTION by
somfy®